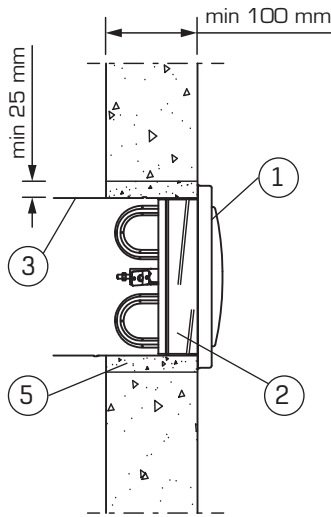
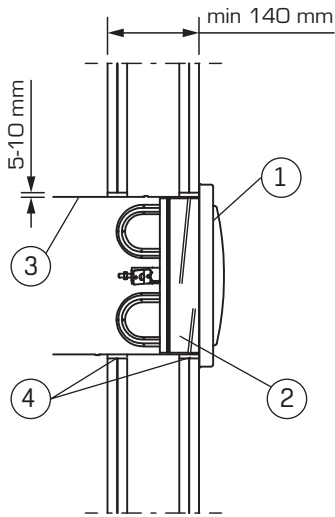


**Flexible walls**  
Kipsilevyseinät  
Byggnadsdel av gips

**Rigid walls and floors**  
Kivirakenteiset seinät ja välipohjat  
Massiv byggnadsdel, tak och bjälklag



- ① Fire damper valve/Palopeltiventtiili/Brandventil
- ② Mounting ring/Kiinnityskehys/Fästram KKT
- ③ Steel duct/Teräskanava/Kanal av stål

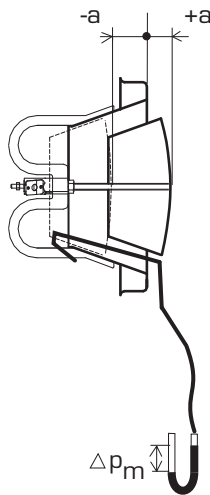
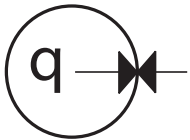
**Penetration seal/Läpiviennin tiivistys/Tätning av genomföring:**

- ④ 5-10 mm Fire-resistant mass/Palomassa/Brandmass Silacoll 100 or similar/tai vastaava/eller motsvarande
- ⑤ Min 25 mm Mortar/Betonilaasti/Murbruk

Mounting frame KKT is fixed to the air duct and wall or floor structure with galvanized rivets or screws. Fire damper valve KSOF is attached to mounting frame KKT with screwing motion.

Kiinnityskehys KKT kiinnitetään kanavaan ja seinä- tai katto-rakenteeseen teräksisillä pop-niiteillä tai ruuveilla ja venttiili kierretään kiinni kiinnityskehykseen.

Fästramen KKT ansluts i kanalen och i byggnadsdel, tak eller bjälklag, med popnit av stål eller plåtskruvar. Ventilen vrids mot fästramen på sin plats.



$$q = k \sqrt{\Delta p_m}$$

(l/s) (Pa)

$$q = 3.6k \sqrt{\Delta p_m}$$

(m³/h) (Pa)

KSOF-100	k
-15	0,5
-12	0,8
-10	1,0
-5	1,4
0	1,9
+5	2,3
+10	2,8

KSOF-125	k
-10	1,5
-5	2,1
0	2,7
+5	3,3
+10	4,0

KSOF-150 KSOF-160	k
-10	2,0
-5	2,8
0	3,6
+5	4,4
+10	5,3
+15	6,2

KSOF-200	k
-3	1,4
0	2,1
+5	3,4
+10	4,6
+15	5,8
+20	7,1
+25	8,3



Inspection and cleaning have to be done according to national regulations or minimum twice a year.  
**WARNING!** Please handle carefully springloaded release mechanism.

Tarkastus ja puhdistus on tehtävä kansallisten määräysten mukaisesti tai vähintään kaksi kertaa vuodessa.

**VAROITUS!** Käsittele varoen jousikuormitettua laukaisumekanismia.

Inspektion och rensning skall göras enligt nationella bestämmelser eller minimum två gånger per år.

**VARNING!** Hantera försiktigt fjäder utlösning mekanism.

1. **Product:** Fire Damper Valve KSOF
2. **Intended use:** Fire damper to be used in conjunction with fire separating elements to maintain fire compartmentation
3. **Manufacturer:** FläktGroup Finland Oy, Kalevantie 39, FI-20520 Turku, Finland  
Tel. +358204423000, Email: info.fi@flaktgroup.com
4. **System of AVCP:** System 1
5. **Harmonized standard:** EN 15650:2010
6. **Notified Body:** RISE Research Institutes of Sweden AB, Nr. 0402  
Performed determination the product type on the basis of type testing; initial inspection of the manufacturing plant and of factory production control; continuous surveillance, assessment and evaluation of the factory production control (FPC) under system 1 and issued: **Certificate of constancy of performance - 0402-CPR-SC0768-13.**

7. **Declared performance:**

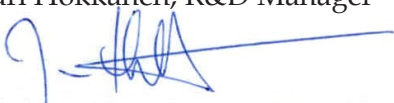
Essential characteristics	Performance		
<b>Nominal activation conditions/sensitivity:</b> - sensing element load bearing capacity - sensing element response temperature	Pass		
<b>Response delay (response time):</b> - closure time	Pass		
<b>Operational reliability:</b> - cycling	Pass (50 cycles)		
<b>Fire resistance (300 Pa):</b>	<b>Installation in flexible wall</b>	<b>Installation in rigid wall</b>	<b>Installation in rigid floor</b>
- integrity	E 60	E 120	E 120
- insulation	-	-	-
- smoke leakage	E 45 S	E 120 S	E 60 S
- mechanical stability (under E)	Pass	Pass	Pass
- maintenance of the cross section (under E)	Pass	Pass	Pass
<b>Durability of response delay:</b> - sensing element response to temperature and load bearing capacity	Pass		
<b>Durability of operational reliability:</b> - open and closing cycle tests	NPD		

The performance of the product identified above is in conformity with the set of declared performance. This declaration of performance is issued, in accordance with Regulation (EU) No 305/2011, under the sole responsibility of the manufacturer identified above.

Signed for and on behalf of the manufacturer by:

Jari Hokkanen, R&D Manager

Turku 28.10.2019



.....