



## Rectangular electrical heating battery type RVA

Rectangular heating element with 50°C maximum outlet temperature

Minimum air speed: 1,5 m/s

Standard dimensions are 400x200 to 800x500, other dimensions available upon request

Power range from 6 to 90 kW

Operating voltage: 400V triphase

### Application

- Electric heaters **RVA** are designed to heat clean air in ventilation systems

### Material

- Casing made of aluzinc coated steel, with rubber rings on either side for air tightness
- Heating elements made of stainless steel AISI 304

### Specifications

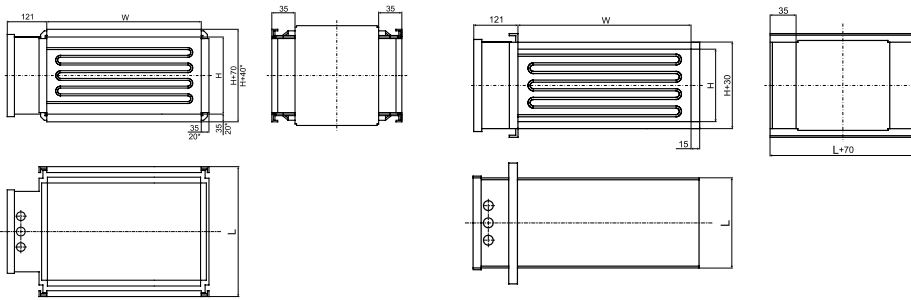
- High temperature proof casing made from aluzinc coated steel
- Heating elements made from stainless steel AISI 304
- Two-stage overheat protection: the first stage switches on when the temperature reaches 50°C (automatic reset), the second stage switches on when the temperature reaches 100°C (manual reset with pushbutton on the casing)
- 20mm duct mouting frame on each side
- No internal temperature controller is provided, external controllers have to be used (see section J11)

### Mounting

- Heaters **RVA** can be installed vertically or horizontally
- In case of horizontal instalation, the electrical boxes must be on the left or right side
- The distance between **RVA** and another element (fan, damper,...) must be at least two times the duct size

### Accessories

- Room temperature sensors type **TG-R**
  - TG-R430** : 0-30°C with setpoint adjustment
  - TG-R530** : 0-30°C
- Duct sensor type **TG-K**
  - TG-K330** : 0-30°C
  - TG-K360** : 0-60°C
- Controller for **RVA**
  - Triac type **TTC**
  - Sequencer type **TT-S4 (6)**



Dimensions															
<b>RVA 400x200</b>															
L [mm]	370														
P [kW]	6	9	12	15	21										
<b>RVA 500x250</b>															
L [mm]	370	420	520	600	820	970									
P [kW]	9	12	15	21	24	36	45								
<b>RVA 500x300</b>															
L [mm]	370														
P [kW]	9	12	15	18	21	24	27	30	33	36	42	45			
<b>RVA 600x300</b>															
L [mm]	370														
P [kW]	9	12	15	18	21	24	27	30	33	36	42	45			
<b>RVA 600x350</b>															
L [mm]	370														
P [kW]	9	12	15	18	21	24	27	30	33	36	39	42	45		
<b>RVA 700x400</b>															
L [mm]	370														
P [kW]		12	15	18	21	24	27	30	33	36	42	45	51	60	
<b>RVA 800x500</b>															
L [mm]	370														
P [kW]			15	18	21	24	27	30	33	36	39	42	45	51	
<b>RVA 1000x500</b>															
L [mm]	370														
P [kW]								30	33	36	39	42	45	51	
														54	
														60	
														66	